



# **BATTERY POWERED ENERGIZER**

## **Solar Unit Mounting Instructions**

**B1600**

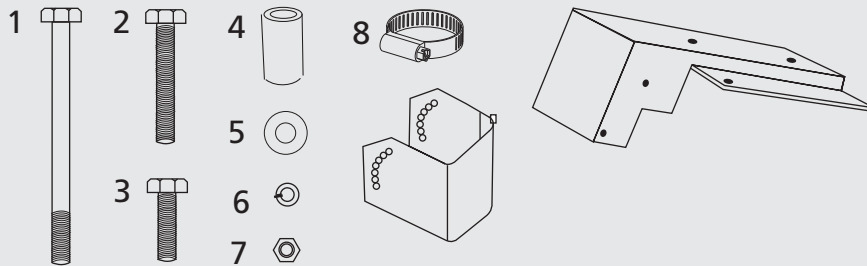
**B700**

**B80/B180 5-10W**

**B80/B180 20W+**

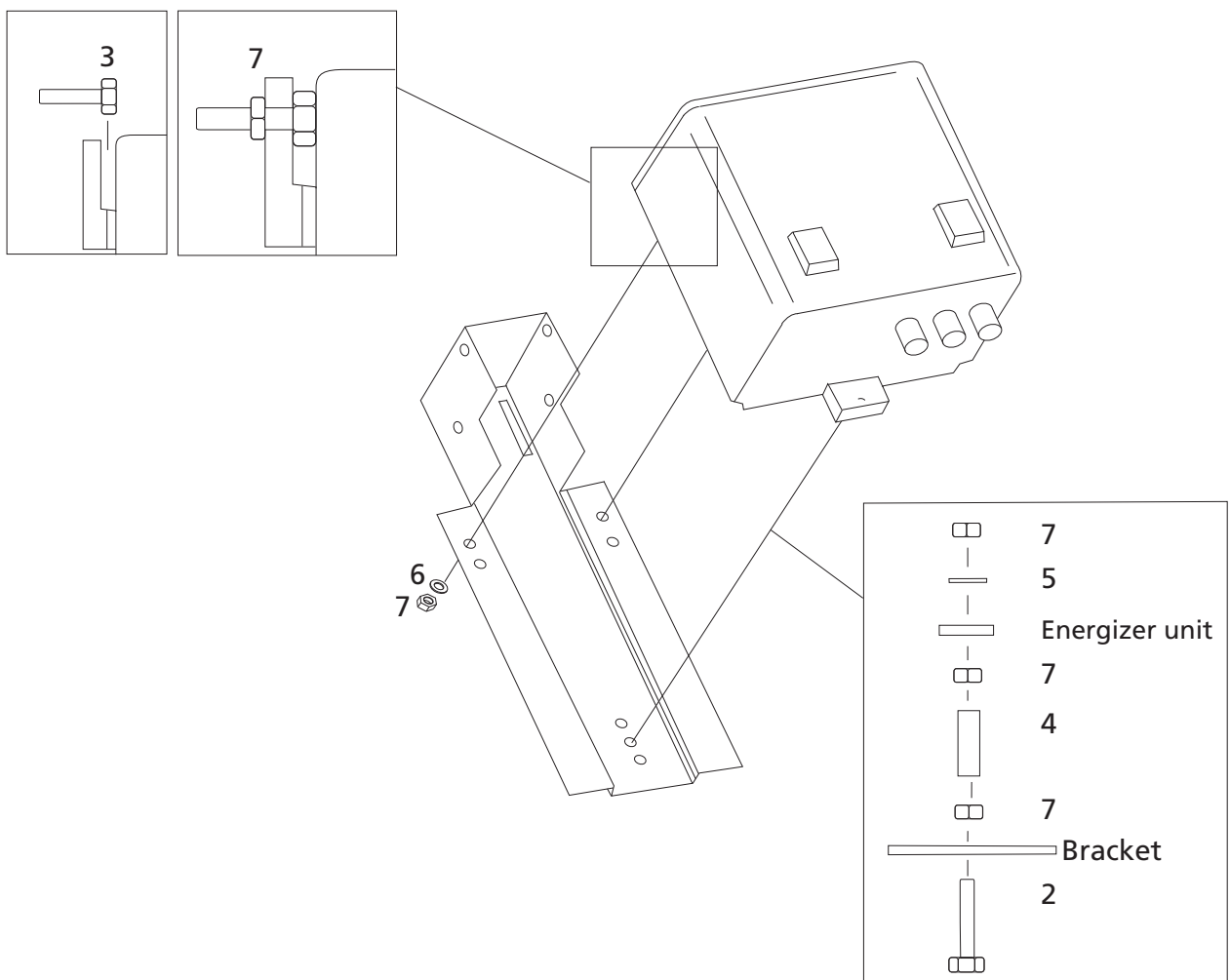
# Mounting instructions for B1600 Solar Unit

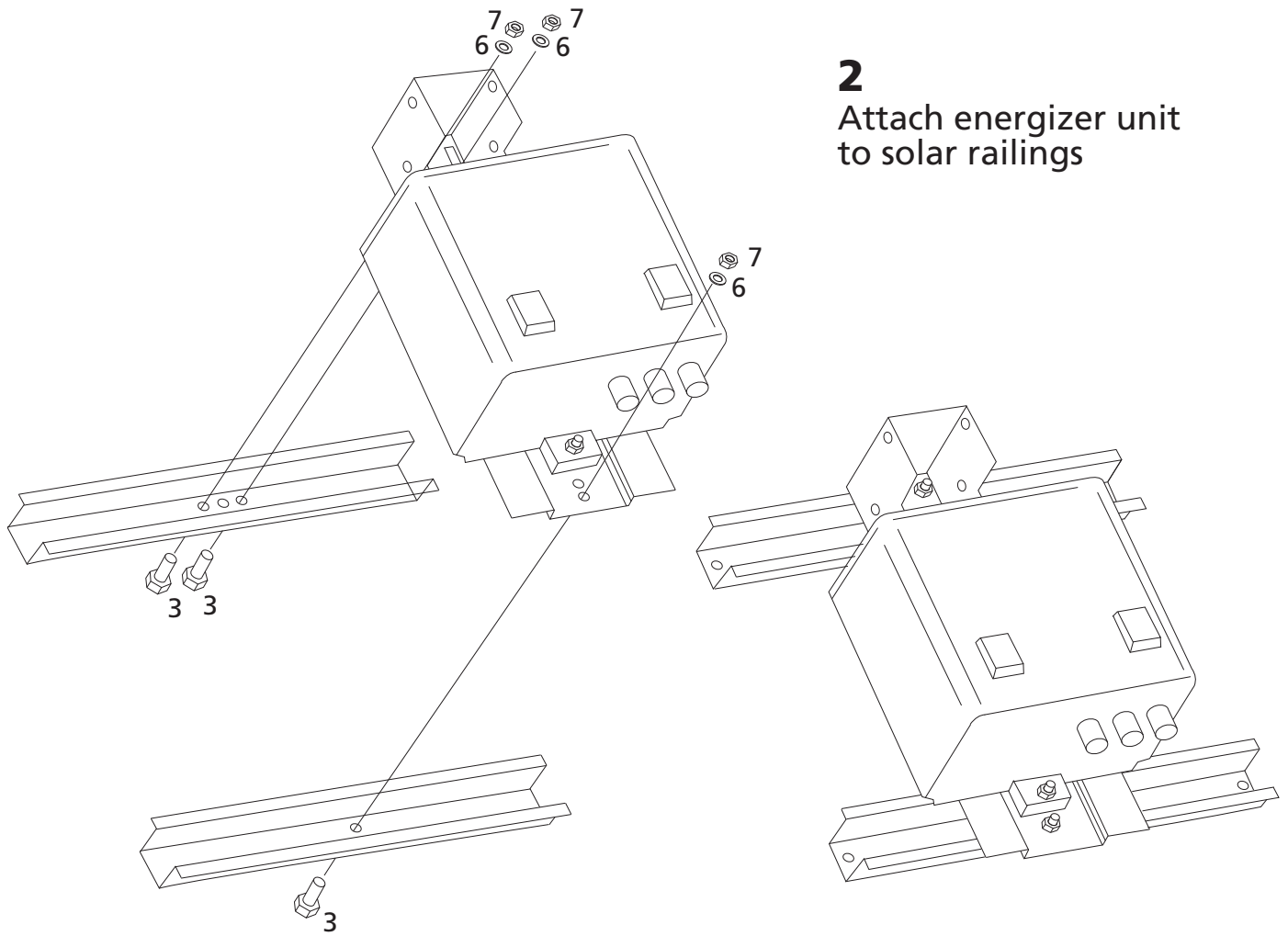
## WHAT YOU WILL NEED TO CONSTRUCT YOUR SOLAR PANEL



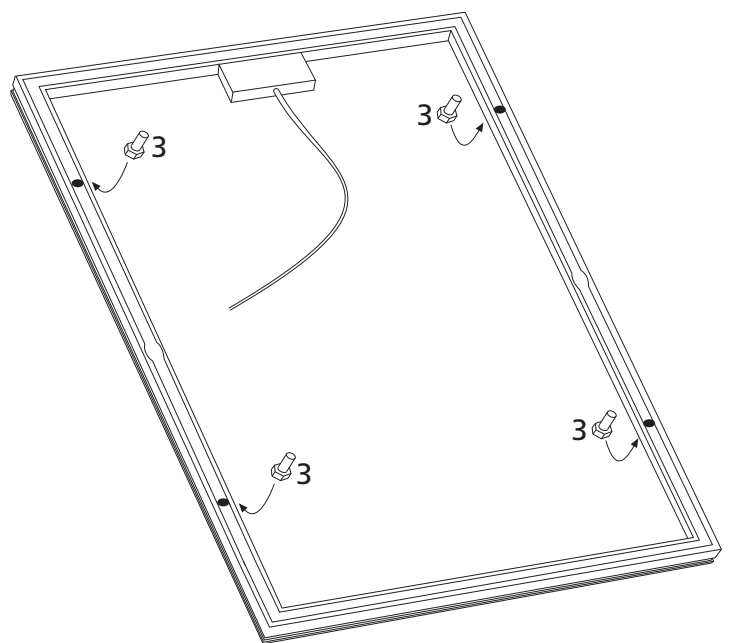
Parts to be supplied with panel

### 1 Mount the energizer to the bracket





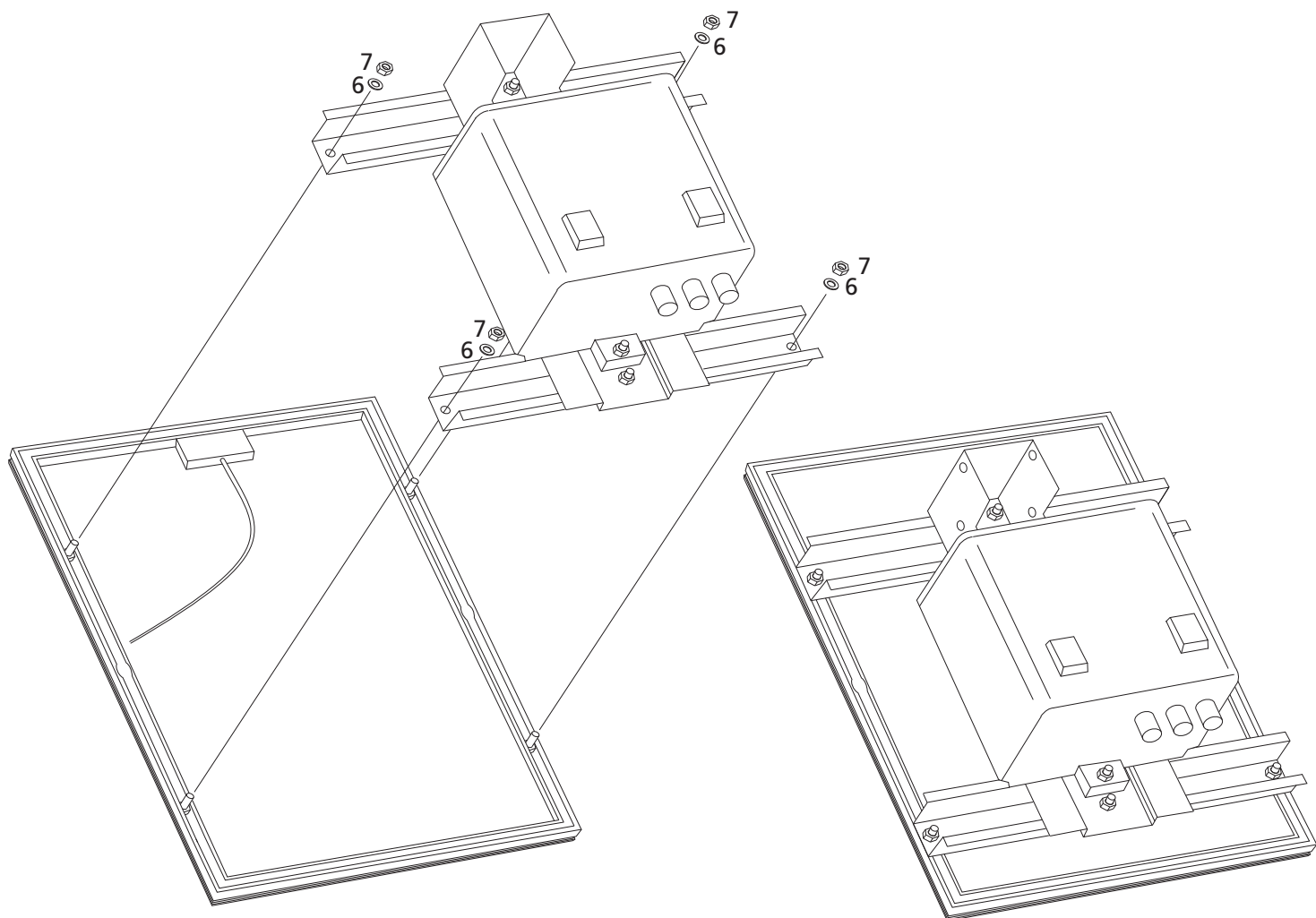
**2**  
Attach energizer unit  
to solar railings



**3**  
Insert bolts through frame

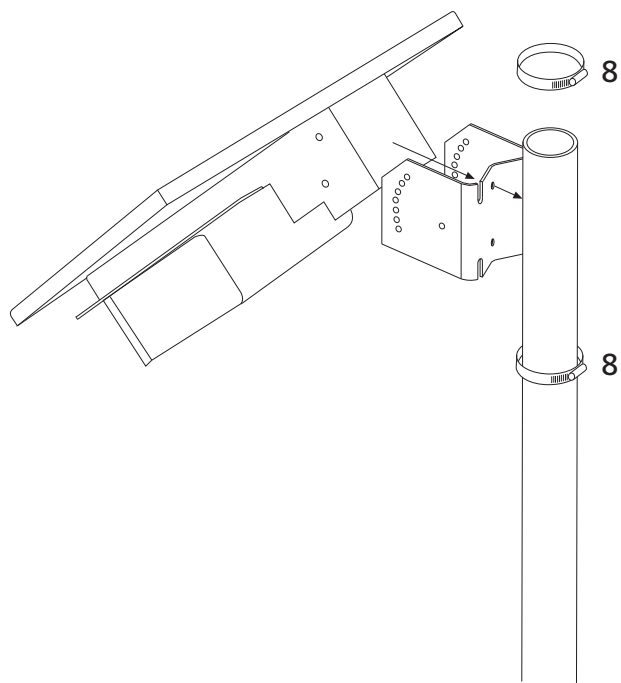
# 4

Attach constructed energizer unit to your solar panel



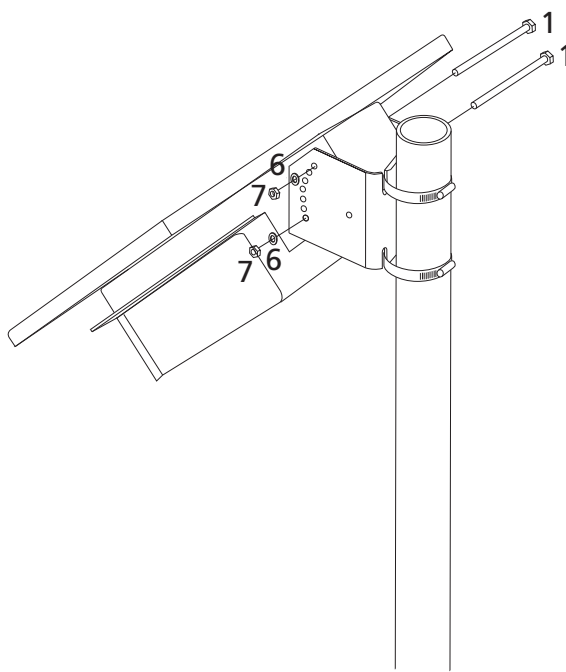
# 5

Securing post bracket



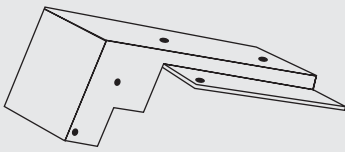
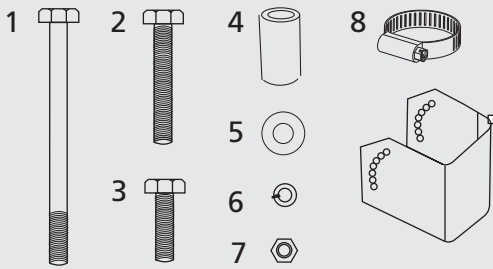
# 6

Securing solar panel unit to post bracket



# Mounting instructions for B700 Solar Unit

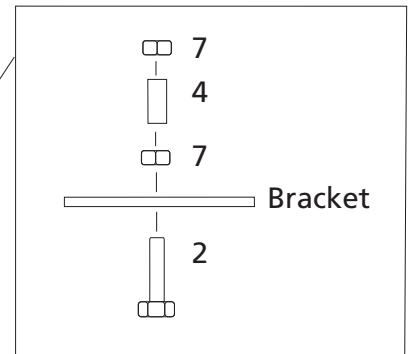
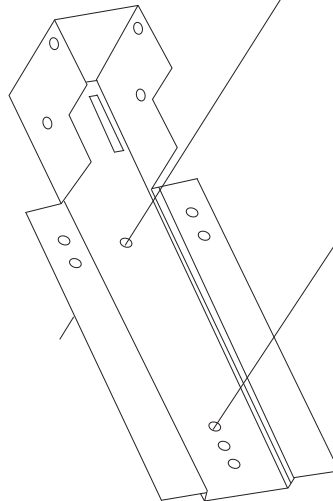
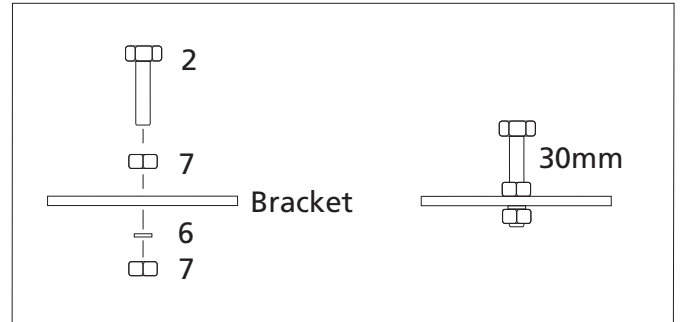
## WHAT YOU WILL NEED TO CONSTRUCT YOUR SOLAR PANEL



Parts supplied with panel

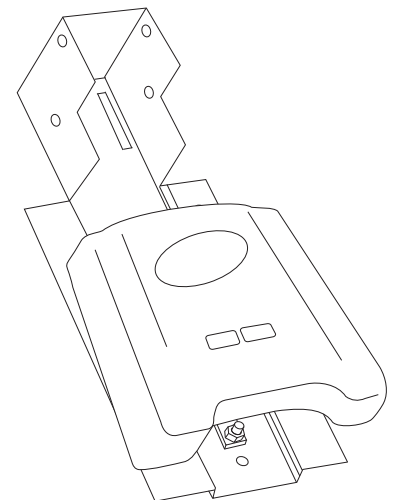
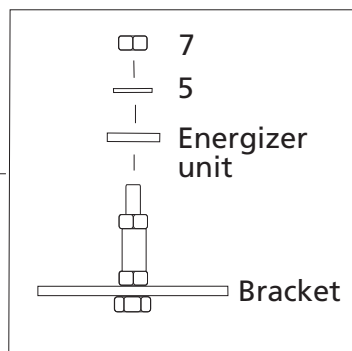
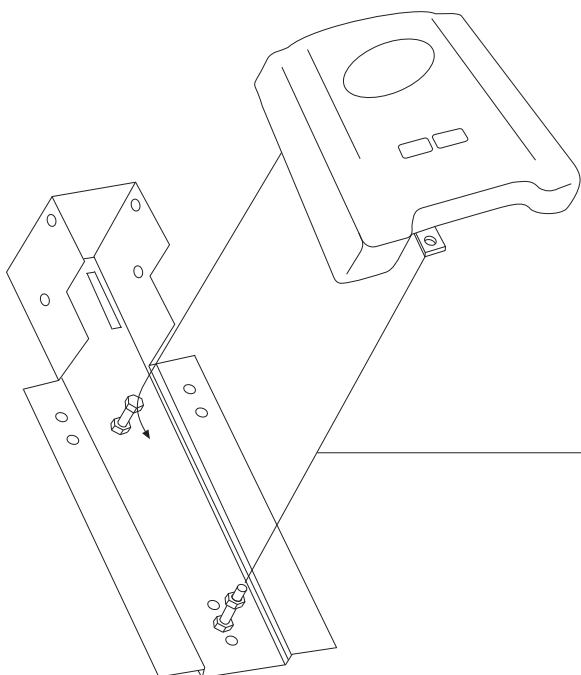
## 1

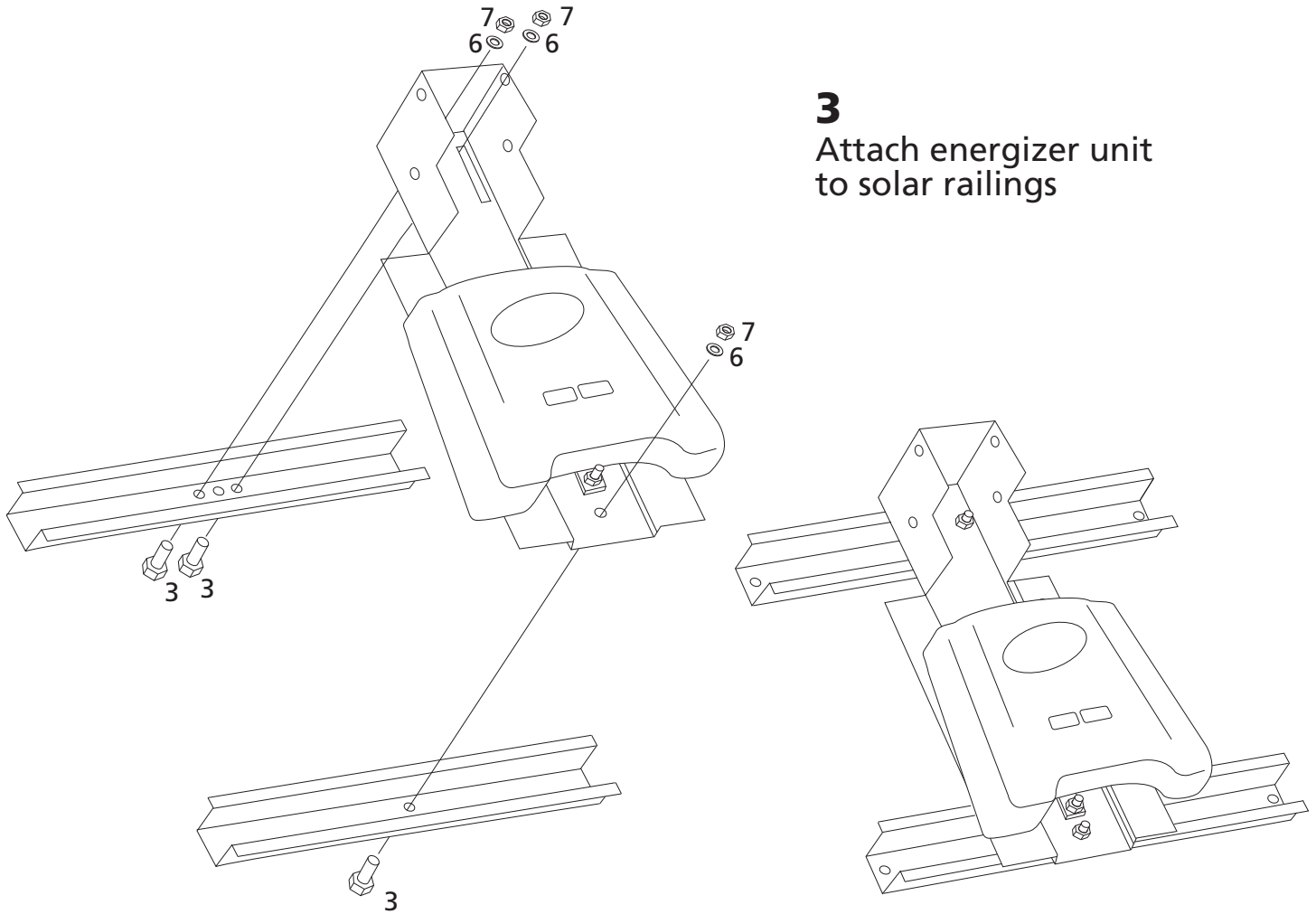
Arrange bolts onto bracket



## 2

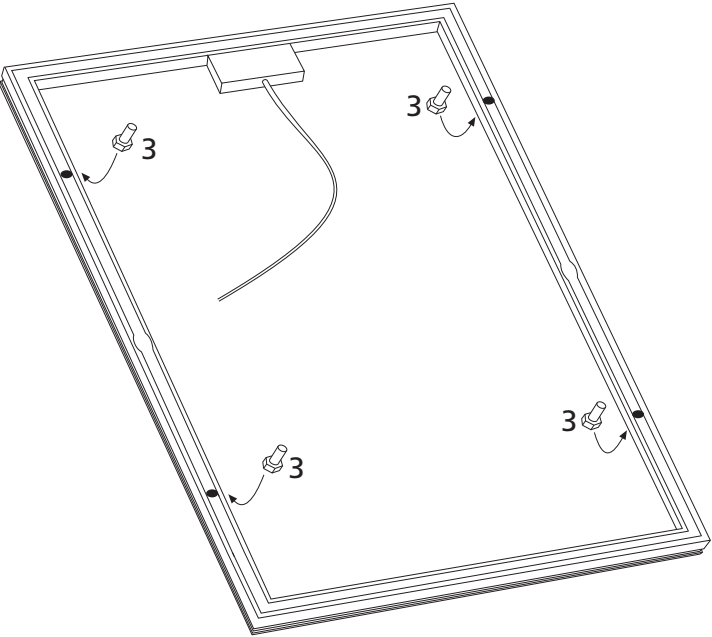
Mount energizer to the bracket





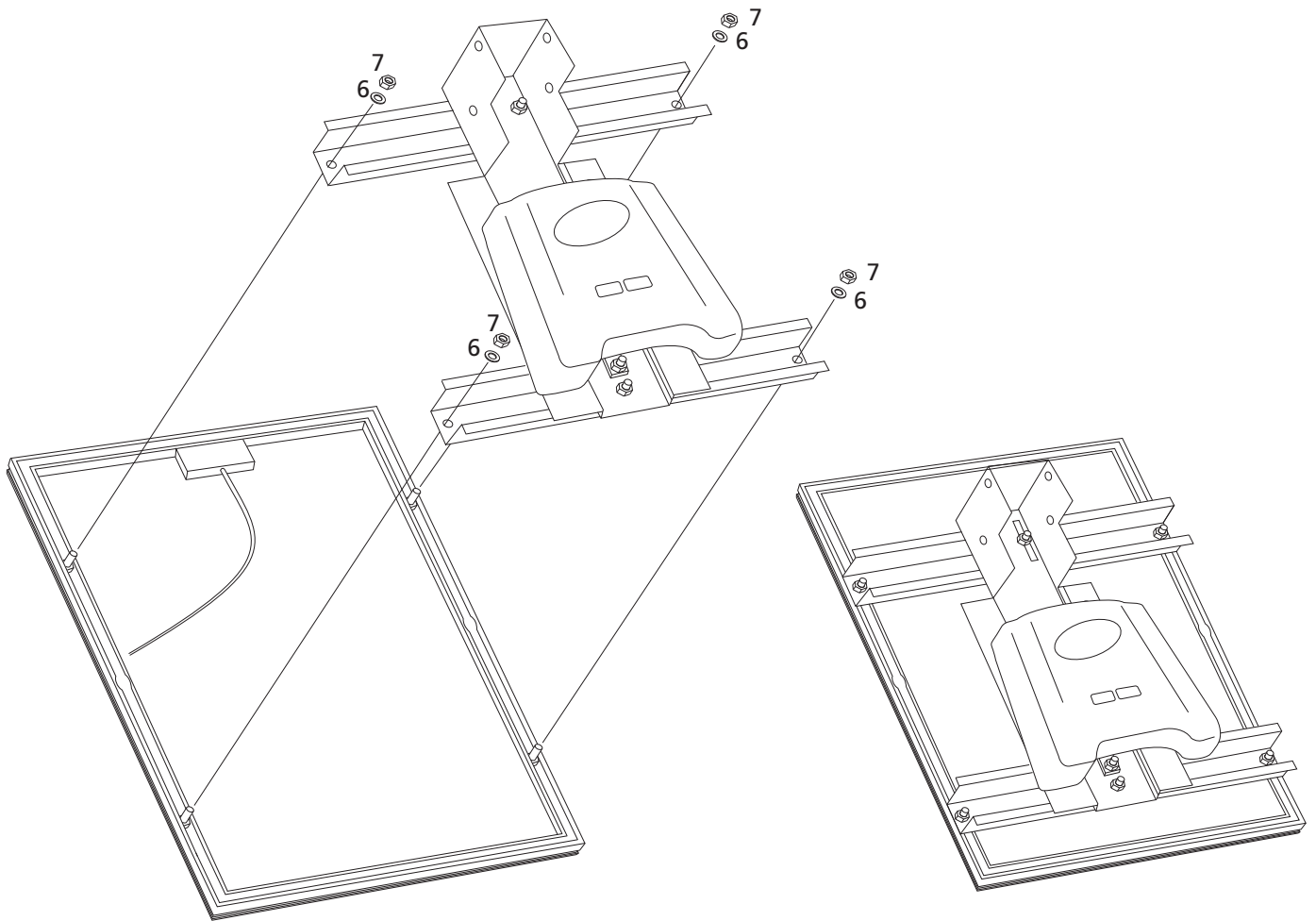
**3**  
Attach energizer unit  
to solar railings

**4**  
Insert bolts through frame



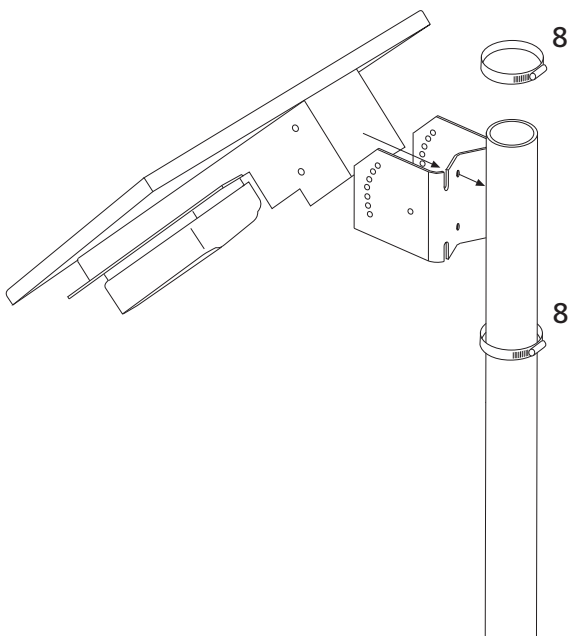
# 5

Attach constructed energizer unit to your solar panel



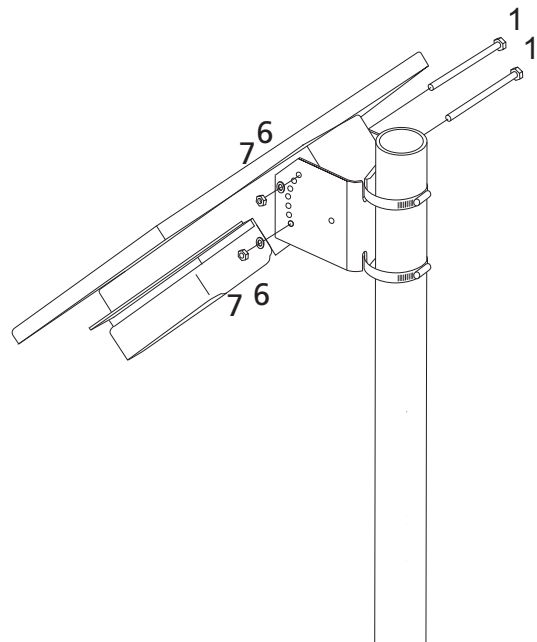
# 6

Securing post bracket



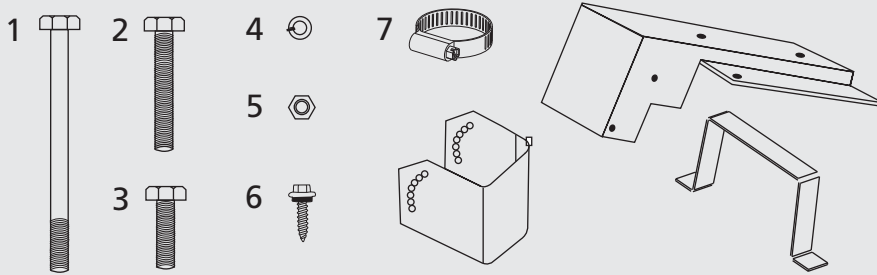
# 7

Securing energizer unit to post bracket



# Mounting Instructions for B80/ B180 5-10W Solar Unit

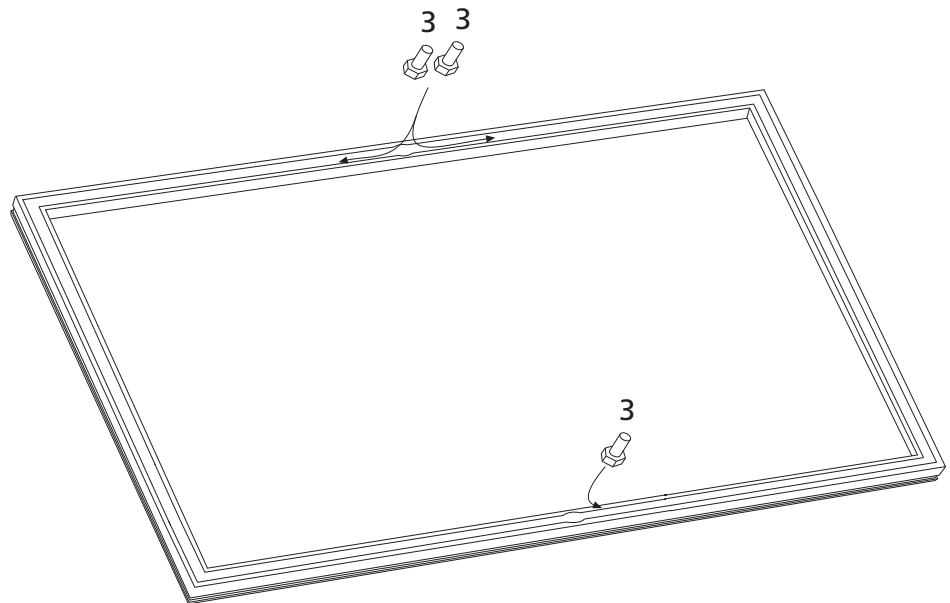
WHAT YOU WILL NEED TO CONSTRUCT YOUR SOLAR PANEL



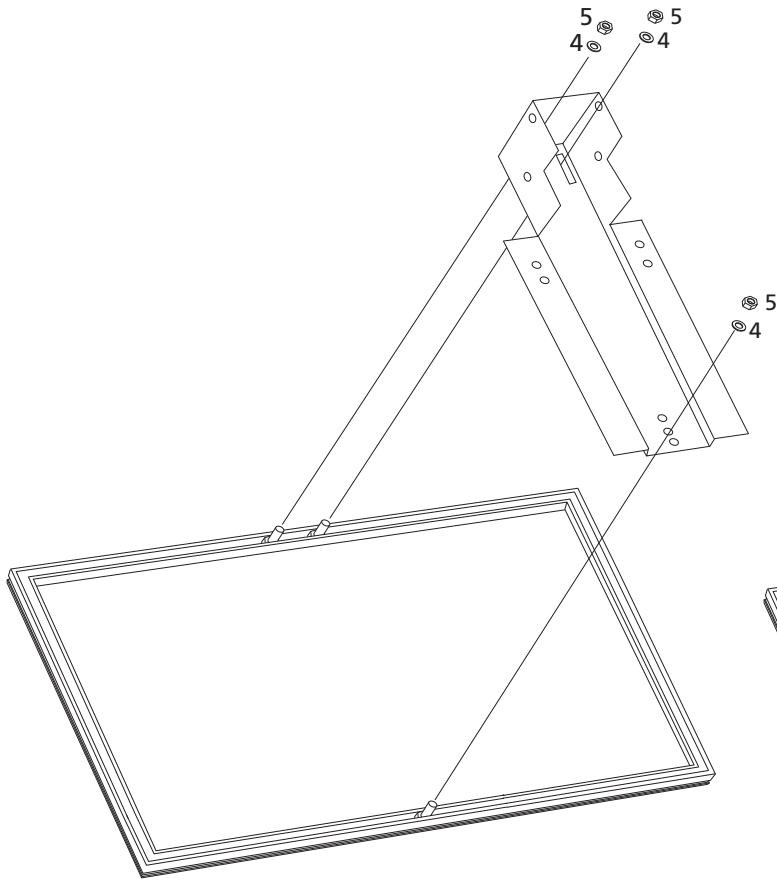
Parts supplied with solar panel

**1**

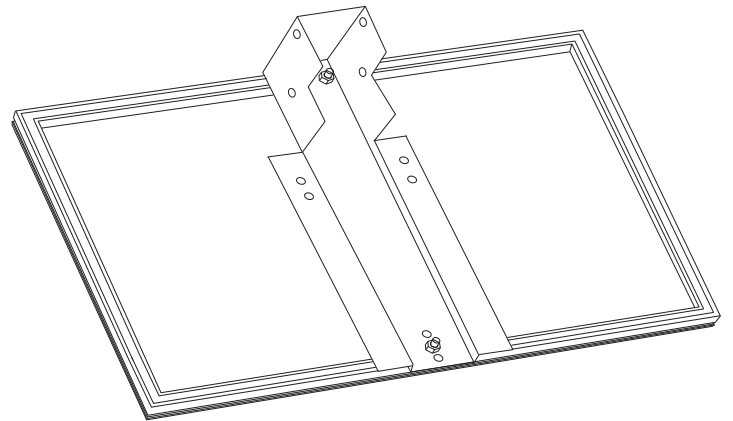
Slide bolts into place for bracket



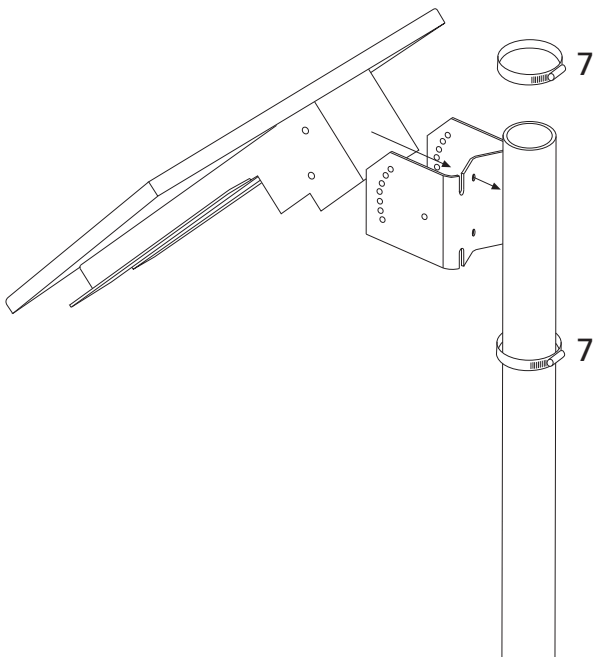




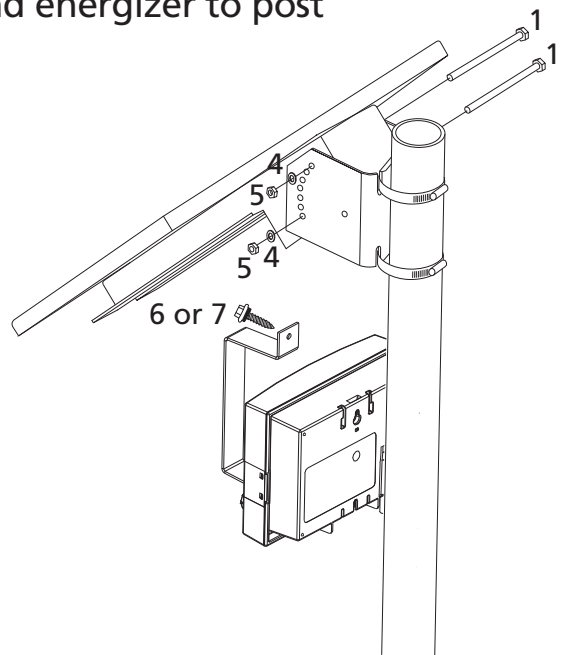
## 2 Attach bracket to your solar panel



## 3 Securing post bracket

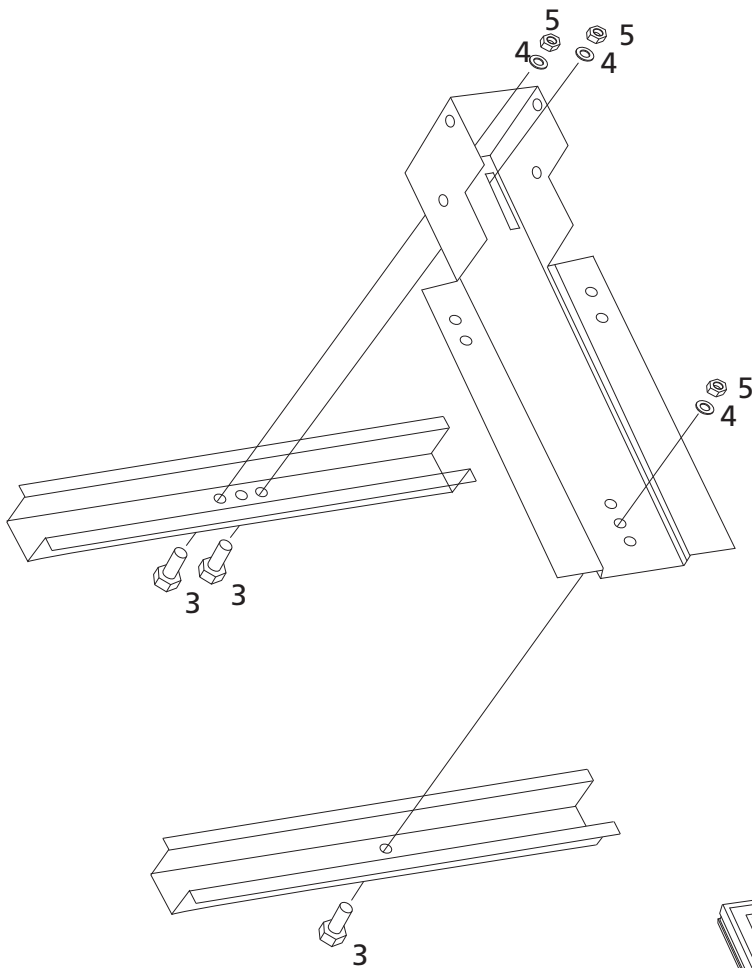


## 4 Securing solar panel to post bracket and energizer to post

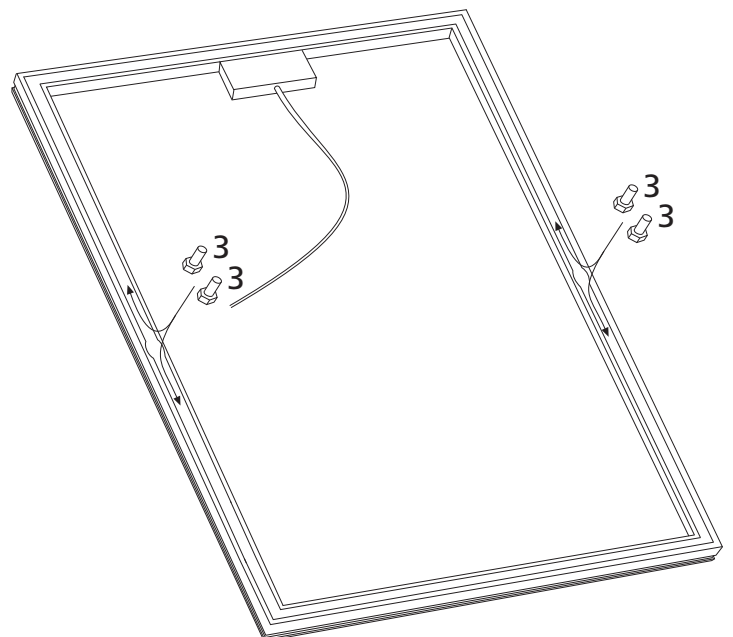


# Mounting Instructions for B80/ B180/ B280 20W+ Solar Unit

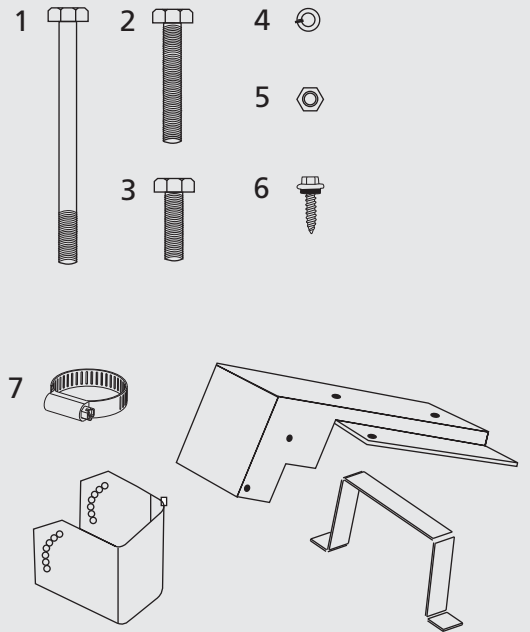
**1**  
Attach bracket to solar railings



**2**  
Slide bolts into place for bracket

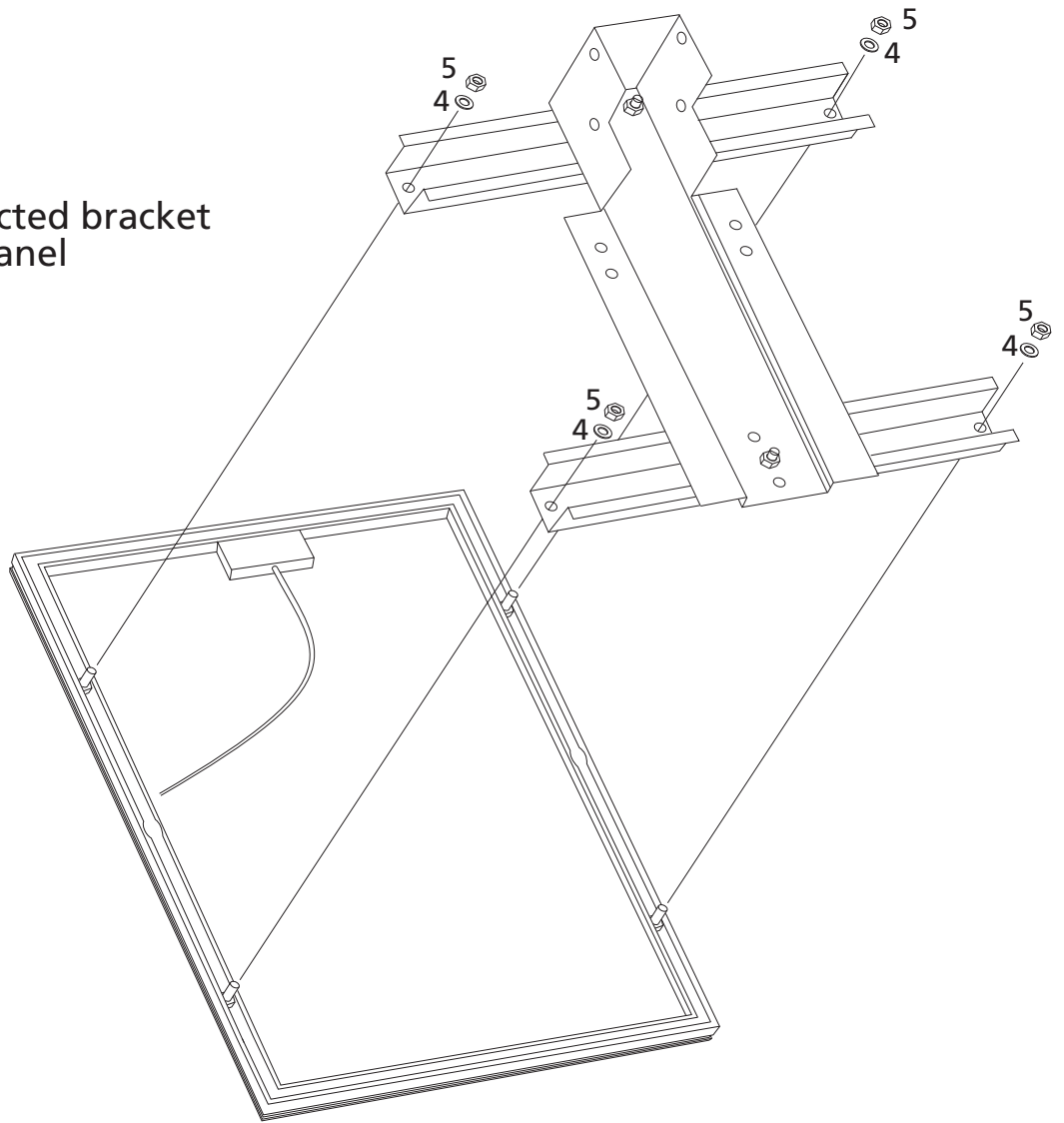


WHAT YOU WILL NEED TO  
CONSTRUCT YOUR SOLAR  
PANEL

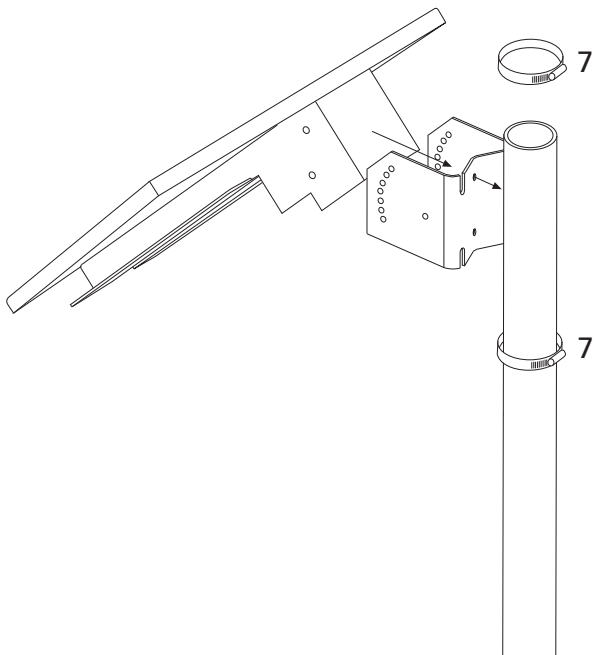


Parts supplied with solar panel

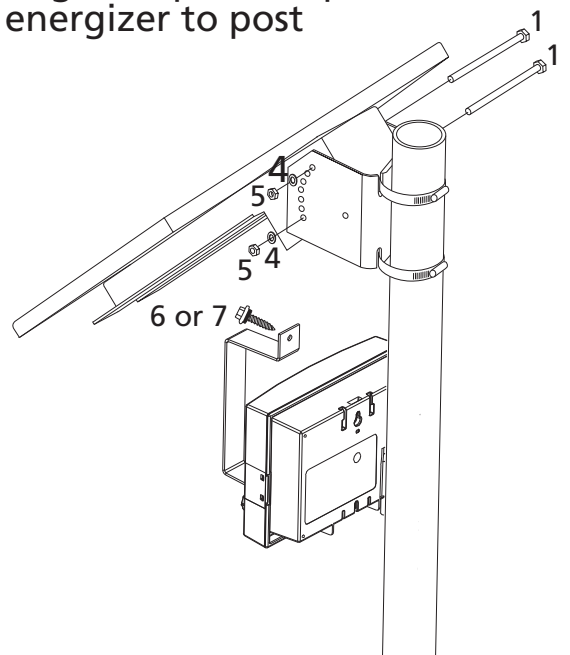
**3**  
Attach constructed bracket  
to your solar panel



**4**  
Securing post bracket



**5**  
Securing solar panel to post bracket  
and energizer to post



**Gallagher Animal Management Systems**  
Private Bag 3026, Hamilton, New Zealand  
Email: [sales@gallagher.co.nz](mailto:sales@gallagher.co.nz) Website: [www.gallagher.co.nz](http://www.gallagher.co.nz)

3E0467 - 08/08